

Magnetic Module for Bead-Based Extraction and Purification

Magnetic Plate to Engage and Disengage with Labware



Product Description

The Opentrons Magnetic Module is an easy-to-use device that automatically engages and disengages high strength magnetic bars to seated well plates within the module housing. The module can readily be used with the Opentrons OT software app. The magnetic module comes with two separate adjustable plate brackets for supporting standard and deep well labware. Users are able to remove and/or swap brackets by unscrewing the module's thumb screw.

The magnetic plate on the module supports many different magnetic bead products for extraction and purification of nucleic acids in the labware shown below. The bracket allows for support of protocols with volumes from 10 μ L to 2 mL. For more information in designing a protocol on the Magnetic Module refer to the Nucleic Acid Purification Technical Note.

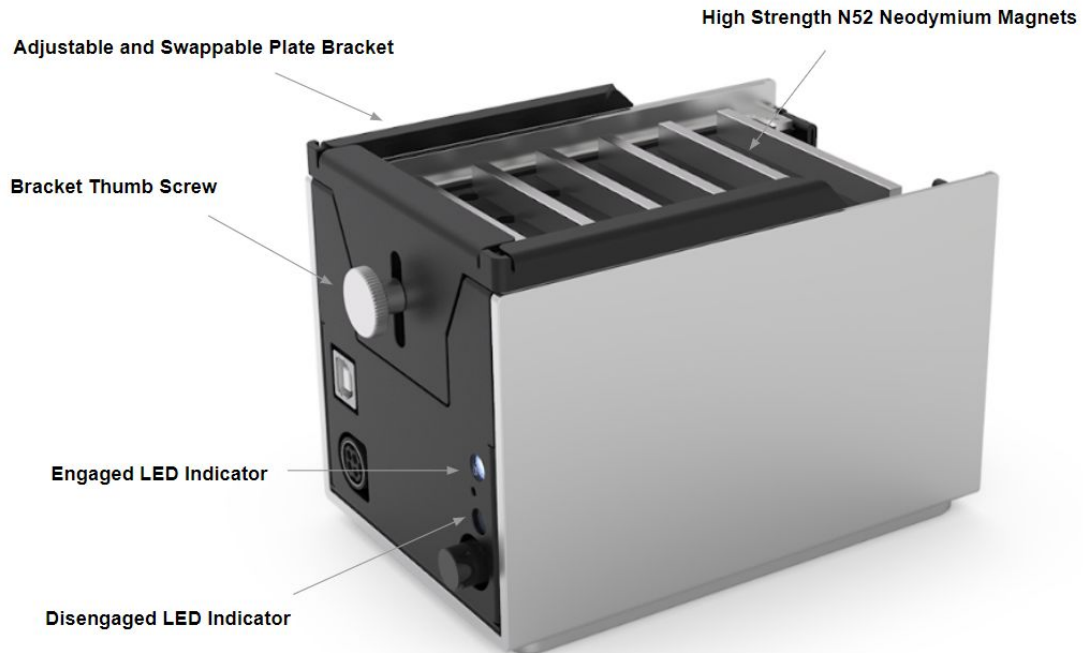


Magnetic Module with 0.2 mL 96 well PCR plate



Magnetic Module with 2 mL Deep Well Plate

Magnetic Module Overview



Well Plate Compatibility

The standard plate bracket supports 0.2 mL plate sizes up to 22 mm in vertical height. The deep well bracket can support deep well trays up to 47 mm in vertical height.

Power Usage

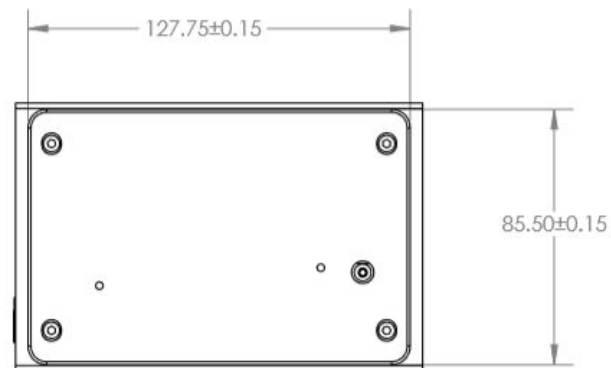
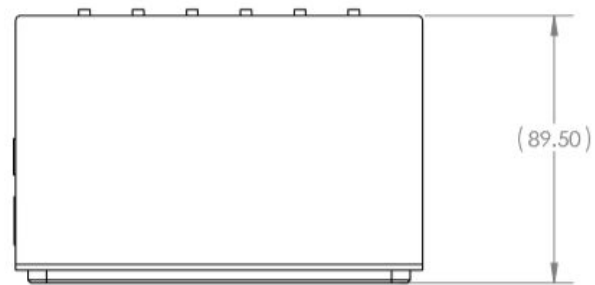
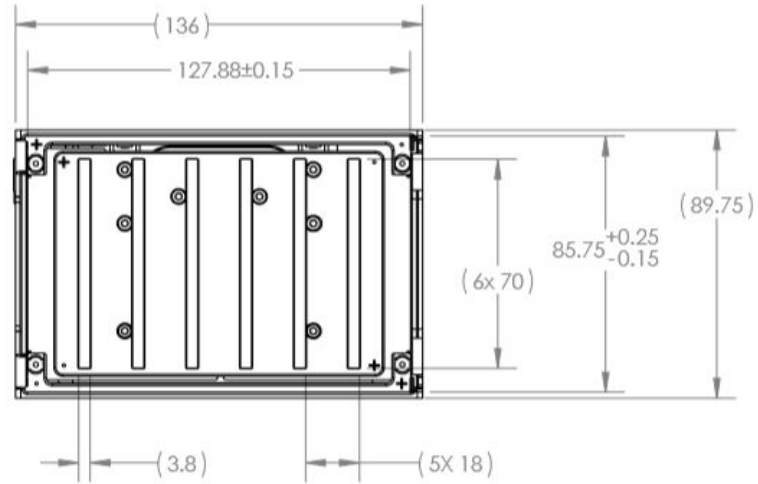
Module input: 36V, 2A

Power adapter input: 100-240VAC, 50/60Hz

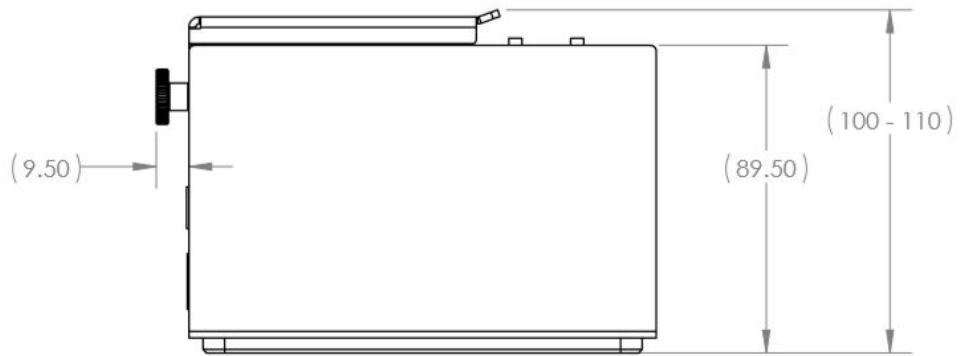
Dimensional Drawings

Standalone Magnetic Module Mass is 1.5kg.

Millimeter units are shown in all dimensional drawings.



Magnetic Module with Standard Plate Bracket:



Magnetic Module with Deep Well Plate Bracket:

